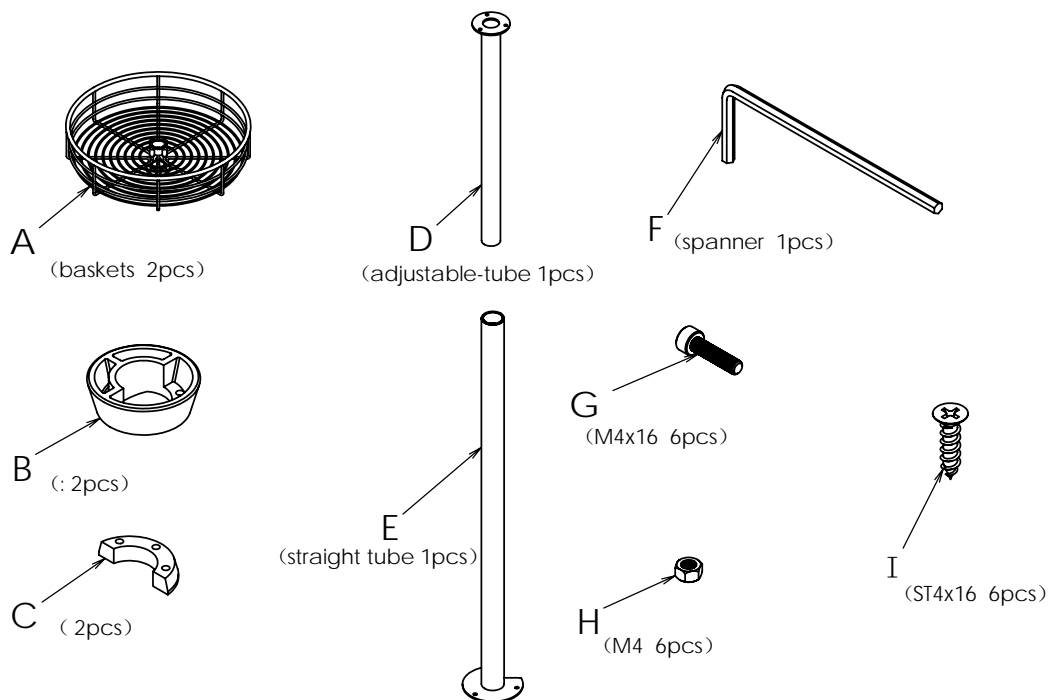


Fixing manual for CZJ440B、CZJ440J

(Take SCZJ440B1 as an example)

1、Components of the product:



2、The product's specification:

CZJ440B: ϕ 440×H (600~900)

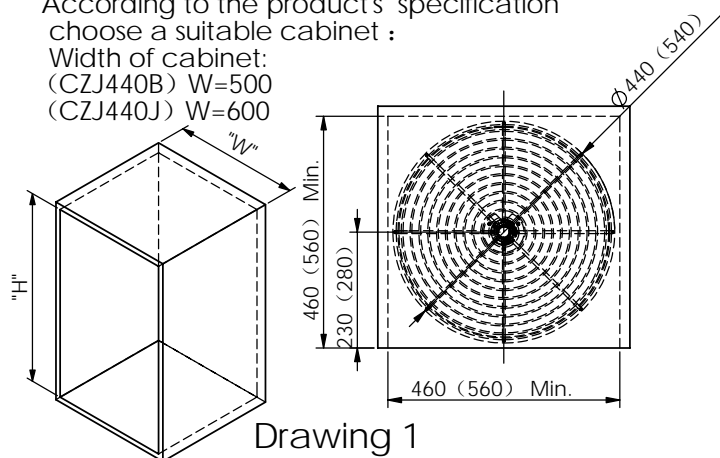
CZJ440J: ϕ 540×H (600~900)

According to the product's specification choose a suitable cabinet :

Width of cabinet:

(CZJ440B) W=500

(CZJ440J) W=600



3、Fixing step:

- (1)、According the picture size to confirm the location of the straight tube then draw the central line in the bottom board and top board. As drawing 1.
- (2)、According the sequence to fix the E、B、A、B、A、D. As drawing 2.
- (3)、Use ST4x16 (I) 3pcs fix the straight tube (E) on the bottom board. In the same way use ST4x16 (I) 3pcs fix the adjustable-tube (D) on the top board. As drawing 3.
- (4)、Adjust the baskets (A) to the suitable height, according the drawing 4 to fix, prevent the baskets fall down and which show the fixing is finished.

